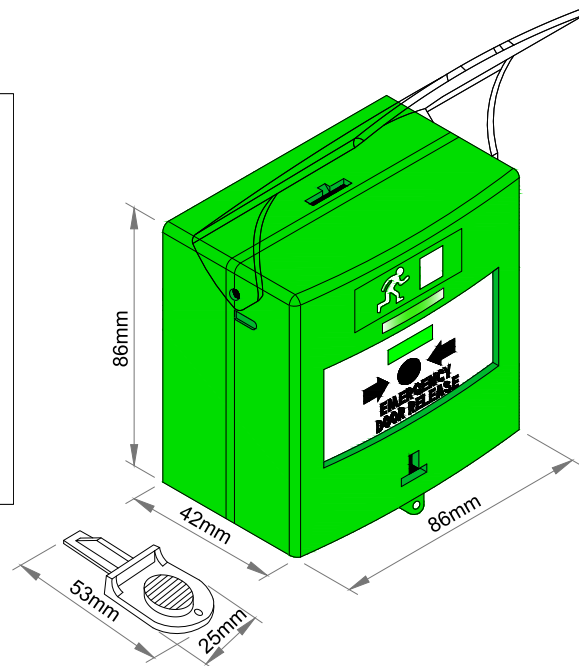
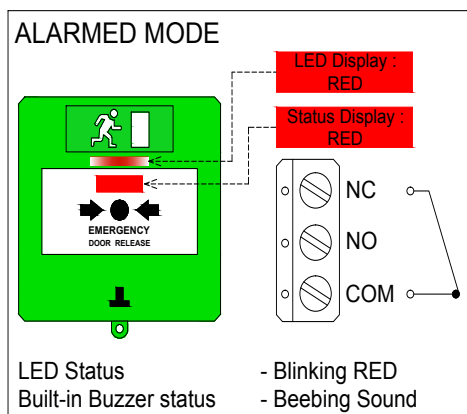
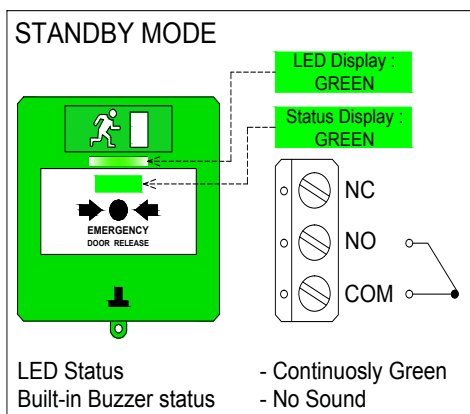


## RESETTABLE EMERGENCY DOOR RELEASE

### Features:

- Resettable Design
- Built-in buzzer alarm
- Coming with a protection cover
- Universal key design to reset, test and installation
- Status indicator Green or Red at the front
- LED indicator for easy exit in dark environment
- Coming with single, dual & triple Pole
- Provision for monitoring the status of the unit
- Embedded or surface mounting options
- Available in Light Green Color
- Accepting 12Vdc or 24Vdc
- Easy to assemble, clip on design between casing, simple and fast installation & maintenance.

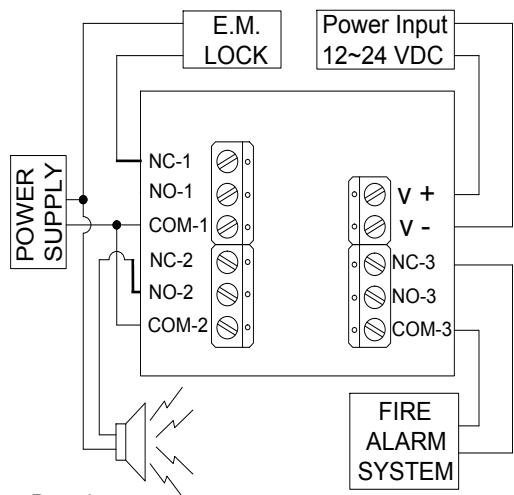


Note: LED Display & Buzzer are only for Model NYSREDR9L

# RESETTABLE EMERGENCY DOOR RELEASE

## Typical Wiring Diagram

### Basic Wiring Diagram Concept



Remark:  
- Diagram above shown for 3 outputs model.  
- Model 1 output mean only have 1NC, 1NO & 1COM terminal connection.

Note: Power input are available only for Model NYSREDR9L

①

②

Fixed holes embedded box at 60mm distance.

**Important Notice:** ⚠️

- Disassemble top case & middle case is for embedded mounting purpose. Please do not disassemble if not necessary.
- Press the trigger plate to turn the status to Red before detach the Top and Middle case, this step precaution is to prevent the loaded spring inside from popping out.

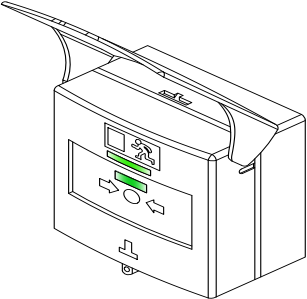
## Available Models

Spec \ Model	NYSREDR9L-2	NYSREDR9L-3	NYSREDR9-1	NYSREDR9-2	NYSREDR9-3
Output Point (C,NC,NO)	2 Outputs	3 Outputs	1 Output	2 Outputs	3 Outputs
Voltage Input	12Vdc / 24Vdc (±5%)		N/A		
Current Draw (Standby)	8mA (±5%)		N/A		
Current Draw (Alarmed)	20mA (±5%)		N/A		
Built-In Buzzer	Interval wailing max.60dB		N/A		
Status Indicator	GREEN (Standby) / RED (Alarmed)		GREEN (Standby) / RED (Alarmed)		
LED Indicator	GREEN (Standby) / RED (Alarmed)		N/A		
Max Current Rating	125Vac / 3A		125Vac / 2A		
Weight	135g (±2%)		135g (±2%)		
Dimension	(L)86 x (W)86 x (T)42 (mm)		(L)86 x (W)86 x (T)42 (mm)		
Material	ABS ; PC (Transparent Part)		ABS ; PC (Transparent Part)		
Terminal Connector	Max. 2.0mm <sup>2</sup> Cable		Max. 2.0mm <sup>2</sup> Cable		

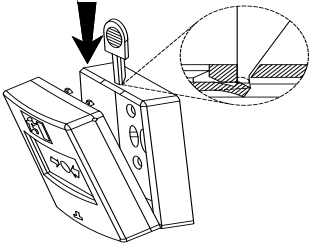
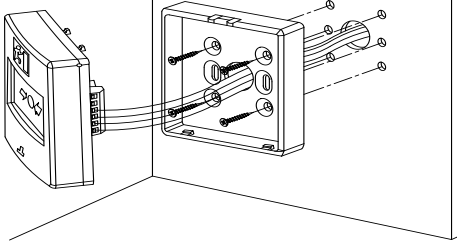
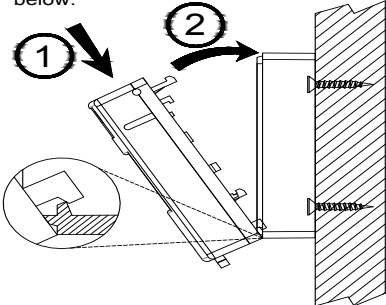
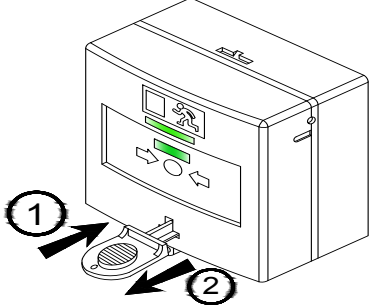
# RESETTABLE EMERGENCY DOOR RELEASE

## Installation Details

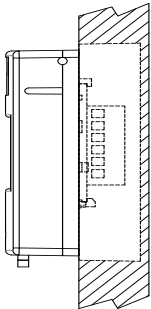
### Surface Mount Instruction



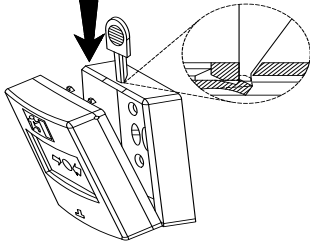
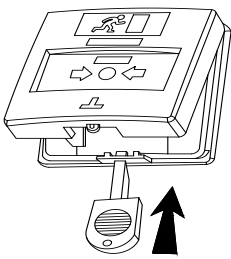
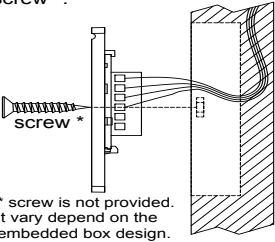
**Complete Case & Cover**

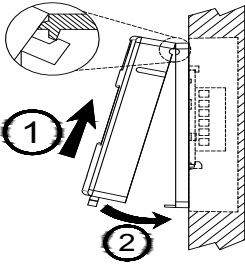
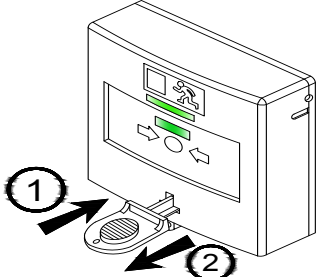
1. Use Key to disassemble Bottom Case & Middle Case.
 
2. Mount the Bottom Case on the wall and connect the wires to the PCB output terminal.
 
3. Buckle in the middle case to the bottom case clipping as shown in the diagram below.
 
4. Insert the Key to reset the status indicator back to Green. Then pull out the Key.
 

### Embedded Mount Instruction



**Lateral View**

1. Use Key to disassemble Bottom Case & Middle Case.
 
2. Use Key to disassemble Top case & Middle Case.
 
3. Connect all the wires to the PCB output point, then mount the middle case onto the embedded box with screw \*.
 

\* screw is not provided. It vary depend on the embedded box design.
4. Buckle up the clip between Top case & Middle case as shown in the diagram below.
 
5. Insert the Key to reset the status indicator back to Green. Then pull out the Key.
 

**Note:** Cut off the unused buckle clip portion if its blocking the embedded surface mounting.