

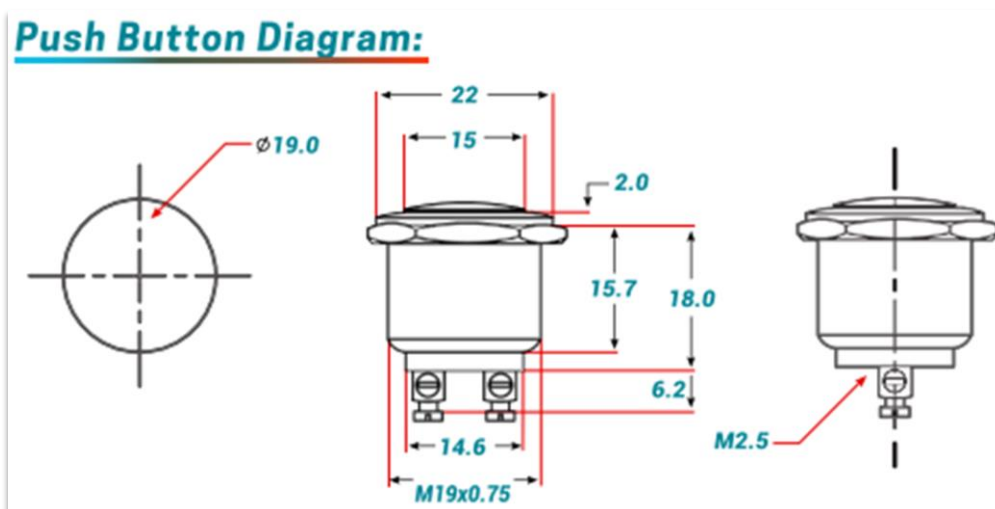
DOOR EXIT PUSH BUTTON NYSDEB61

Features: NYSDEB61

- Stainless Steel Exit Push Button
- Material: Stainless Steel Grade 304
- Standard Structure: Stainless Steel Plate / Housing / Push Button
- Switch Circuit Type: Form X SPST-NO-DB
- Current Rating: 4Amp @ 125 VAC ; 2Amp @ 250 VAC
- Weight: 55 gms
- Dimensions: (L)90 x (W)35 x (T)30 mm



Push Button Diagram



Disclaimer: Nyscom Technology reserves the right to go ahead with any modifications of the models or features or price without forewarning. All the information and specifications stated in this document are current at the time of publication.