

DIN RAIL MOUNT FIBER PATCH PANEL P SERIES

Features:

- Compact Design
- Space Saving Installation
- DIN Rail Mountable
- Up to 48 Core Fiber
- 3, 6, 12 and 24 Duplex Adapter
- SC, LC, ST & FC Adapter
- Connector Polish Type PC/UPC/APC
- Direct Termination
- Fusion Splicing
- High Quality Powder Coated Aluminum
- Black Color

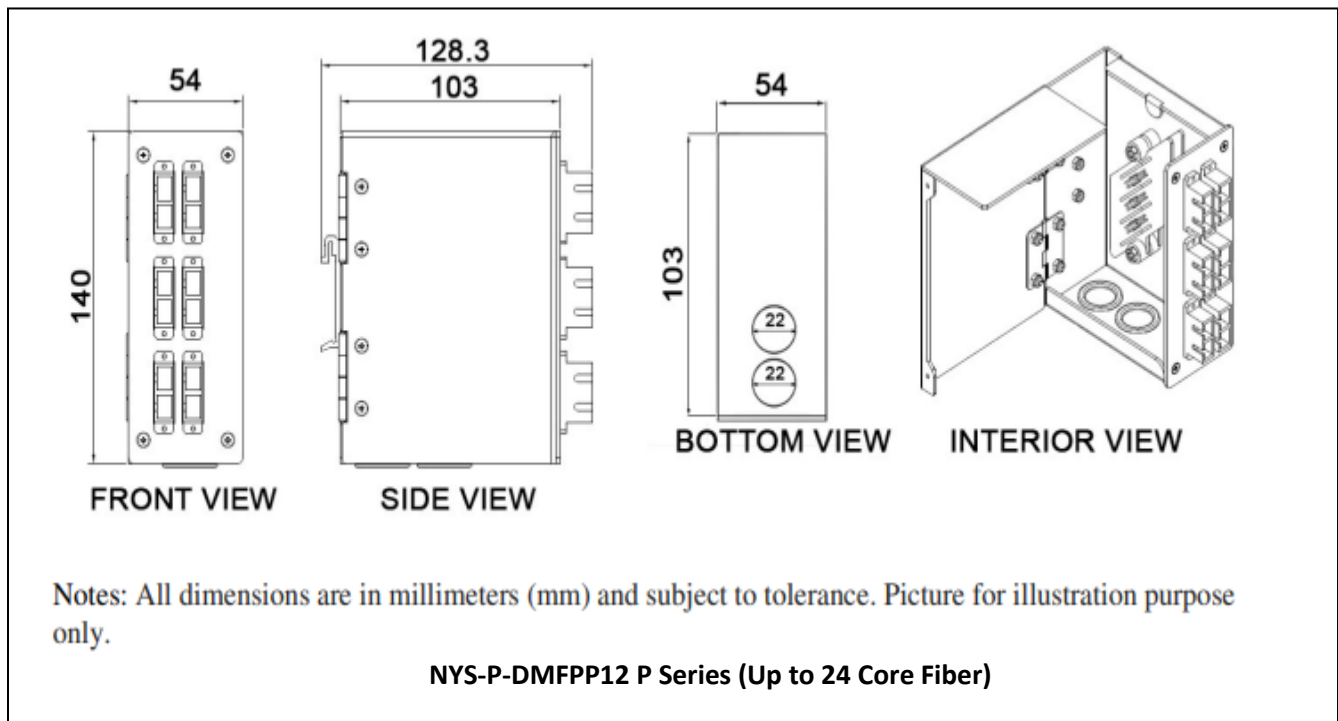
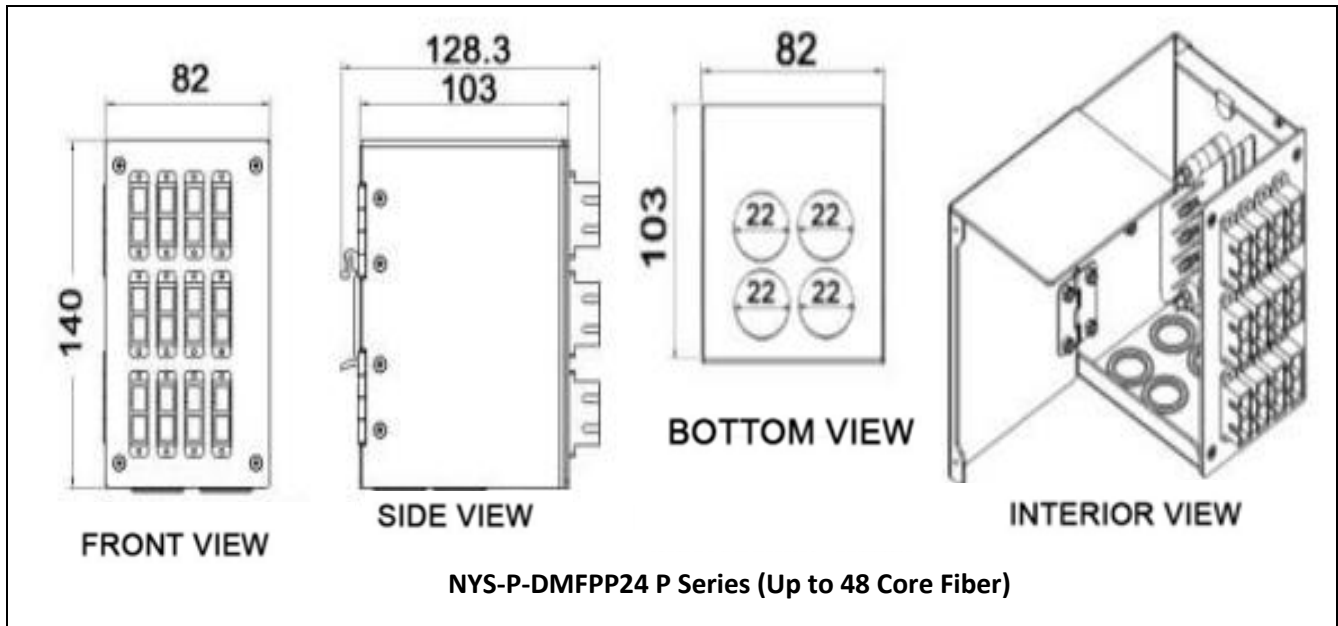


DIN Rail mount fiber patch panel is designed either to support direct termination or fusion splicing of the fibers. The materials used for the patch panel is of high quality powder coated aluminum with natural finishes which makes it light weight and compact in size. The compact size of the DIN Rail mount patch panel helps to save space especially when it is mounted within enclosures or cabinet with other DIN Rail mount equipment. The patch panel can be loaded with a variety of Adapters like SC, LC, ST & FC. It can support up to 48 cores when fully loaded with Adapters based on the connectors.

DIN RAIL MOUNT FIBER PATCH PANEL P SERIES

Basic Construction

DIN Rail Mount Patch Panel



DIN RAIL MOUNT FIBER PATCH PANEL P SERIES



DIN Rail Clip -
Vertical Mounting



DIN Rail Clip -
Horizontal Mounting



Splice Sleeve
(FSLEEVE040)



Splice Holder
(S-HO06Z)



M22 Cable Gland



Cable Clip

DIN RAIL MOUNT FIBER PATCH PANEL P SERIES

Technical Specifications

Material: Powder Coated Aluminum

Adapter Type: SC, LC, ST & FC

Port: 3, 6, 12 and 24 Duplex (6, 12, 24 and 48 Core Fiber)

Environmental Specifications

Minimum Temperature: -10° C

Maximum Temperature: +70° C

IK Impact Resistance Degree: IK 10

Installation and Assembly

Indoor Installation: Yes

Outdoor Installation: Yes, Inside Weatherproof Enclosure

DIN Rail Mounting: Yes

Wall Mounting: NO

Available Models

| Part No: | Description |
|------------------------------|--|
| SINGLE MODE: | |
| NYS-P-DMFPP12-SM-SC-3D-6C | SINGLE MODE SC 3 DUPLEX PORT FOR 6 CORE FIBER |
| NYS-P-DMFPP12-SM SC-6D-12C | SINGLE MODE SC 6 DUPLEX PORT FOR 12 CORE FIBER |
| NYS-P-DMFPP12-SM SC-12D-24C | SINGLE MODE SC 12 DUPLEX PORT FOR 24 CORE FIBER |
| NYS-P-DMFPP12-SM-LC-2QD-8C | SINGLE MODE LC 2 QUAD DUPLEX PORT FOR 8 CORE FIBER |
| NYS-P-DMFPP12-SM-LC-3QD-12C | SINGLE MODE LC 3 QUAD DUPLEX PORT FOR 12 CORE FIBER |
| NYS-P-DMFPP12-SM-LC-6QD-24C | SINGLE MODE LC 6 QUAD DUPLEX PORT FOR 24 CORE FIBER |
| NYS-P-DMFPP24-SM-LC-12QD-48C | SINGLE MODE LC 12 QUAD DUPLEX PORT FOR 48 CORE FIBER |

DIN RAIL MOUNT FIBER PATCH PANEL P SERIES

| Part No: | Description |
|--|---|
| MULTI MODE: | |
| NYS-P-DMFPP12-MM-OM3-SC-3D-6C | MULTI MODE OM3 SC 3 DUPLEX PORT FOR 6 CORE FIBER |
| NYS-P-DMFPP12-MM-OM4-SC-3D-6C | MULTI MODE OM4 SC 3 DUPLEX PORT FOR 6 CORE FIBER |
| NYS-P-DMFPP12-MM-OM3-SC-6D-12C | MULTI MODE OM3 SC 6 DUPLEX PORT FOR 12 CORE FIBER |
| NYS-P-DMFPP12-MM-OM4-SC-6D-12C | MULTI MODE OM4 SC 6 DUPLEX PORT FOR 12 CORE FIBER |
| NYS-P-DMFPP12-MM-OM3-SC-12D-24C | MULTI MODE OM3 SC 12 DUPLEX PORT FOR 24 CORE FIBER |
| NYS-P-DMFPP12-MM-OM4-SC-12D-24C | MULTI MODE OM3 SC 12 DUPLEX PORT FOR 24 CORE FIBER |
| NYS-P-DMFPP12-MM-OM3-LC-2QD-8C | MULTI MODE OM3 LC 2 QUAD DUPLEX PORT FOR 8 CORE FIBER |
| NYS-P-DMFPP12-MM-OM4-LC-2QD-8C | MULTI MODE OM4 LC 2 QUAD DUPLEX PORT FOR 8 CORE FIBER |
| NYS-P-DMFPP12-MM-OM3-LC-3QD-12C | MULTI MODE OM3 LC 3 QUAD DUPLEX PORT FOR 12 CORE FIBER |
| NYS-P-DMFPP12-MM-OM4-LC-3QD-12C | MULTI MODE OM4 LC 3 QUAD DUPLEX PORT FOR 12 CORE FIBER |
| NYS-P-DMFPP12-MM-OM3-LC-6QD-24C | MULTI MODE OM3 LC 6 DUPLEX PORT FOR 24 CORE FIBER |
| NYS-P-DMFPP12-MM-OM4-LC-6QD-24C | MULTI MODE OM4 LC 6 DUPLEX PORT FOR 24 CORE FIBER |
| NYS-P-DMFPP24-MM-OM3-LC-12QD-48C | MULTI MODE OM4 LC 12 QUAD DUPLEX PORT FOR 48 CORE FIBER |
| NYS-P-DMFPP24-MM-OM4-LC-12QD-48C | MULTI MODE OM4 LC 12 QUAD DUPLEX PORT FOR 48 CORE FIBER |
| Note: Default Connector Finishing Type is UPC (PC/APC type can be provided on request). Pigtail & Patch Cord are sold separately. | |