

ELECTROMAGNETIC LOCK

Features:

- Dual Voltage Selectable (12 VDC / 24 VDC)
- Low Current Consumption
- Reliable Holding Force
- Hall Effect Sensor Monitoring Output
- Green/Red LED Indication for EM Lock Status
- Durable & Silence Operation
- Cosmetic Anodized Aluminum Casing
- Surge & Spike Protection PCB.
- Suitable for Varying Door Size, Cabinets etc.
- Anti-Tamper Jam Nuts
- Full Range of Optional Brackets
- Zero Residual Magnetism Design
- Models available with built in Magnetic Contact for Door Status Monitoring

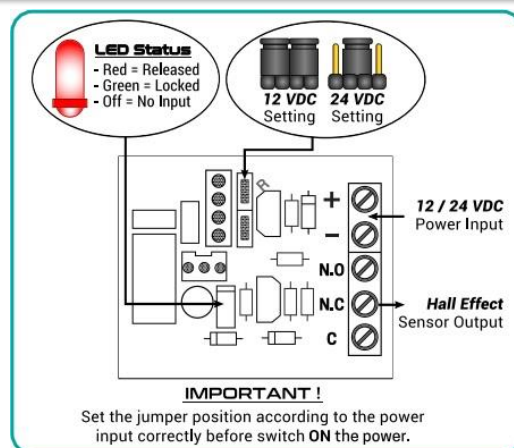


Available Model:

- | | |
|----------------------------------|------------------------------------------|
| 1. NYSEML3001: 300lbs with LED | 2. NYSEML3002: 300lbs with LED and DC |
| 3. NYSEML6001: 600lbs with LED | 4. NYSEML6002: 600lbs with LED and DC |
| 5. NYSEML8001: 800lbs with LED | 6. NYSEML8002: 800lbs with LED and DC |
| 7. NYSEML12001: 1200lbs with LED | 8. NYSEML12002: 1200lbs with LED and DC |
| 9. NYSEML15001: 1500lbs with LED | 10. NYSEML15002: 1500lbs with LED and DC |

Specifications: NYSEML3001

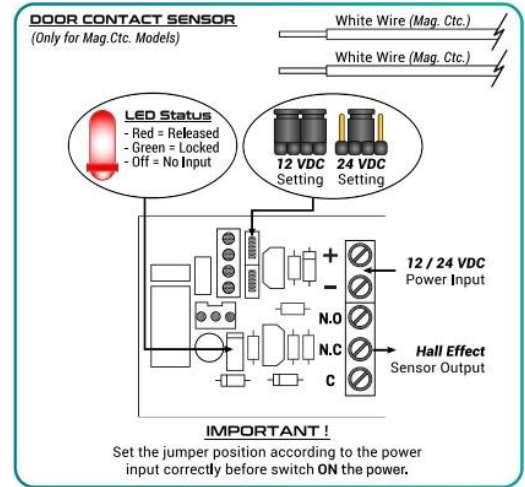
- Voltage Input:** 12 VDC / 24 VDC
- Current Draw:** 12V / 330mA; 24V / 185mA (+5%)
- Holding Force:** Up to 300lbs (136 kg)
- Hall Effect Contact:** SPDT rated 1A at 24 VDC
- Anti-Rust Surface Treatment:** Blue Zinc Plating
- Operating Temperature:** 0-55° C (32~131° F)
- Operating Humidity:** 0-95% (non-condensing)
- Weight:** 1.20 kg (±1%)
- Dimensions:** Magnet - (L) 210 x (W) 35 x (T) 22mm
Armature - (L) 130 x (W) 33 x (T) 11mm



ELECTROMAGNETIC LOCK

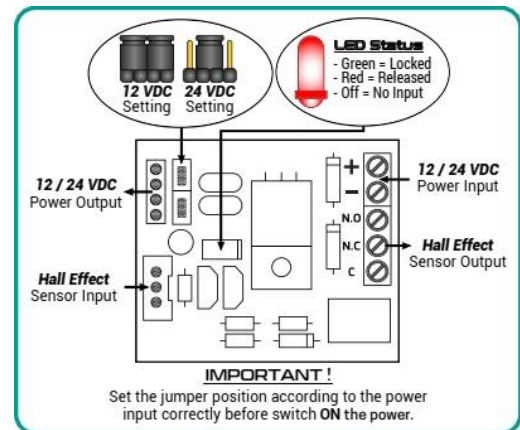
Specifications: NYSEML3002

- Voltage Input:** 12 VDC / 24 VDC (Per Magnet)
- Current Draw:** 12V / 330mA; 24V / 185mA (±5%)
- Holding Force:** Up to 300lbs (136 kg)
- Hall Effect Contact:** SPDT rated 1A at 24 VDC
- Magnetic Contact Rating:** 40 VDC, 0.25A, 10W
- Anti-Rust Surface Treatment:** Blue Zinc Plating
- Operating Temperature:** 0-55° C (32—131° F)
- Operating Humidity:** 0-95% (non-condensing)
- Weight:** 1.20 kg (+1%)
- Dimensions:** Magnet - (L) 210 x (W) 35 x (T) 22 mm
Armature - (L) 130 x (W) 33 x (T) 11 mm



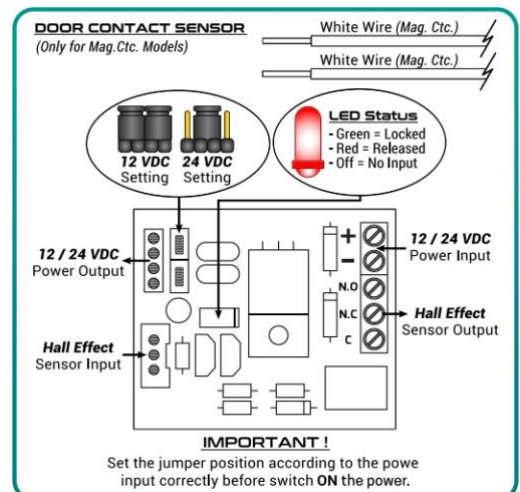
Specifications: NYSEML6001

- Voltage Input :** 12 VDC / 24 VDC
- Current Draw:** 12V / 510mA ; 24V / 285mA (±5%)
- Holding Force:** Up to 600lbs (272 kg)
- Hall Effect Contact :** SPDT rated 1A at 24 VDC
- Anti-Rust Surface Treatment:** Blue Zinc Plating
- Operating Temperature:** 0~55° C (32~131° F)
- Operating Humidity:** 0~95% (non-condensing)
- Weight:** 1.90 kg (±1%)
- Dimensions:** Magnet - (L) 250 x (W) 42 x (T) 25mm
Armature - (L) 180 x (W) 38 x (T) 11mm



Specifications: NYSEML6002

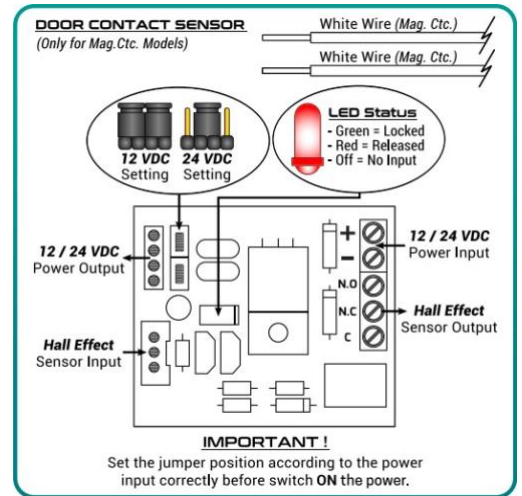
- Voltage Input:** 12 VDC / 24 VDC
- Current Draw:** 12V / 510mA; 24V / 285mA (±5%)
- Holding Force:** Up to 600lbs (272 kg)
- Hall Effect Contact:** SPDT rated 1A at 24 VDC
- Magnetic Contact Rating:** 40 VDC, 0.25A, 10W
- Anti-Rust Surface Treatment:** Blue Zinc Plating
- Operating Temperature:** 0-55° C (32—131° F)
- Operating Humidity:** 0-95% (non-condensing)
- Weight:** 1.90 kg (±1%)
- Dimensions:** Magnet - (L) 250 x (W) 42 x (T) 25mm
Armature - (L) 180 x (W) 38 x (T) 11mm



ELECTROMAGNETIC LOCK

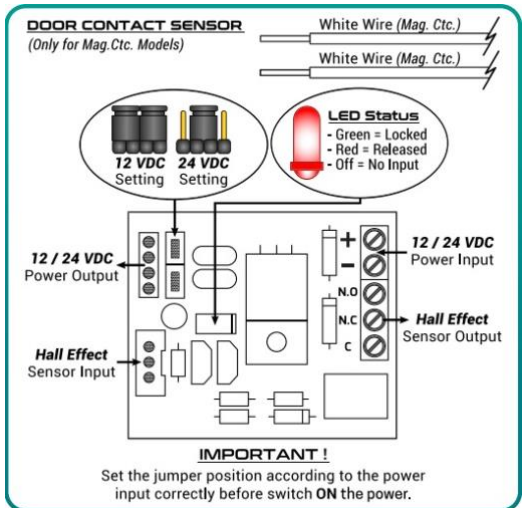
Specifications: NYSEML8001

- Voltage Input:** 12 VDC / 24 VDC
- Current Draw:** 12V / 510mA; 24V / 285mA (±5%)
- Holding Force:** Up to 800lbs (363 kg)
- Hall Effect Contact :** SPDT Rated 1A at 24 VDC
- Anti-Rust Surface Treatment:** Blue Zinc Plating
- Operating Temperature:** 0-55° C (32-131° F)
- Operating Humidity:** 0-95% (non-condensing)
- Weight:** 2.4 kg (±1%)
- Dimensions:** Magnet - (L) 250 x (W) 50 x (T) 29mm
Armature - (L) 182 x (W) 44 x (T) 11mm



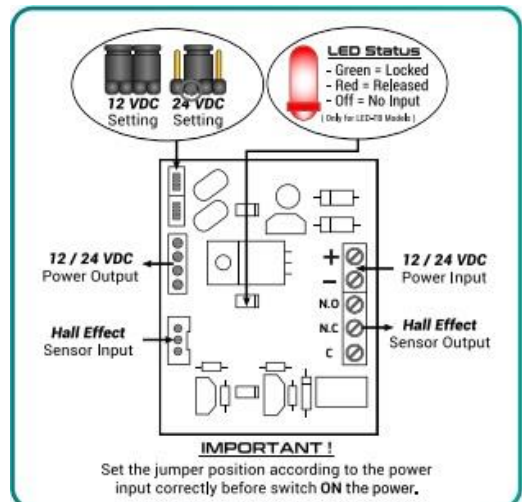
Specifications: NYSEML8002

- Voltage Input:** 12 VDC / 24 VDC
- Current Draw:** 12V / 510mA; 24V / 285mA (±5%)
- Holding Force:** Up to 800lbs (363 kg)
- Hall Effect Contact:** SPDT Rated 1A at 24 VDC
- Magnetic Contact Rating:** 40 VDC, 0.25A, 10W
- Anti-Rust Surface Treatment:** Blue Zinc Plating
- Operating Temperature:** 0-55° C (32-131° F)
- Operating Humidity:** 0-95% (non-condensing)
- Weight:** 2.4 kg (±1%)
- Dimensions:** Magnet - (L) 250 x (W) 50 x (T) 29mm
Armature - (L) 182 x (W) 44 x (T) 11mm



Specifications: NYSEML12001

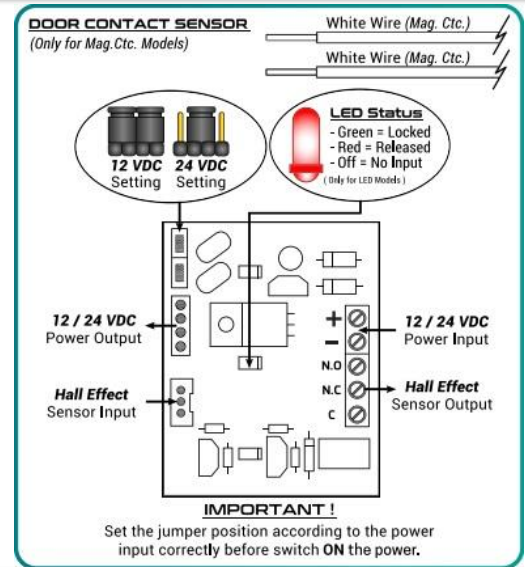
- Voltage Input:** 12 VDC / 24 VDC
- Current Draw:** 12V / 500mA; 24V / 265mA (±5%)
- Holding Force:** Up to 1200lbs (544 kg)
- Hall Effect Contact:** SPDT rated 1A at 24 VDC
- Anti-Rust Surface Treatment:** Blue Zinc Plating
- Operating Temperature:** 0-55° C (32-131° F)
- Operating Humidity:** 0-95% (non-condensing)
- Weight:** 4.8 kg (±1%)
- Dimensions:** Magnet - (L) 266 x (W) 67 x (T) 39mm
Armature - (L) 185 x (W) 61 x (T) 16.5mm



ELECTROMAGNETIC LOCK

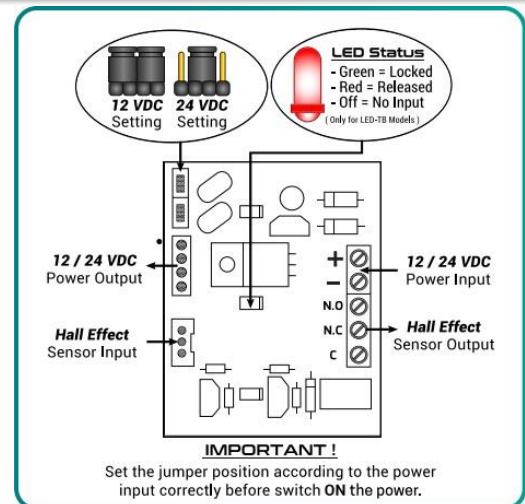
Specifications: NYSEML12002

- Voltage Input:** 12 VDC / 24 VDC
- Current Draw:** 12V / 500mA; 24V / 265mA ($\pm 5\%$)
- Holding Force:** Up to 1200lbs (544 kg)
- Hall Effect Contact:** SPDT rated 1A at 24 VDC
- Magnetic Contact Rating:** 40 VDC, 0.25A, 10W
- Anti-Rust Surface Treatment:** Blue Zinc Plating
- Operating Temperature:** 0-55° C (32-131° F)
- Operating Humidity:** 0-95% (non-condensing)
- Weight:** 4.8 kg ($\pm 1\%$)
- Dimensions:** Magnet - (L) 266 x (W) 67 x (T) 39mm
Armature - (L) 185 x (W) 61 x (T) 16.5mm



Specifications: NYSEML15001

- Voltage Input:** 12 VDC / 24 VDC
- Current Draw:** 12V / 450mA ; 24V / 220mA ($\pm 5\%$)
- Holding Force:** Up to 1500lbs (680 kg)
- Hall Effect Contact:** SPDT rated 1A at 24 VDC
- Anti-Rust Surface Treatment:** Blue Zinc Plating
- Operating Temperature:** 0-55° C (32-131° F)
- Operating Humidity:** 0-95% (non-condensing)
- Weight:** 6 kg ($\pm 1\%$)
- Dimensions:** Magnet - (L) 280 x (W) 76 x (T) 47 mm
Armature - (L) 200 x (W) 70 x (T) 16.5mm



Specifications: NYSEML15002

- Voltage Input:** 12 VDC / 24 VDC
- Current Draw:** 12V / 450mA; 24V / 220mA ($\pm 5\%$)
- Holding Force:** Up to 1500lbs (680 kg)
- Hall Effect Contact:** SPDT rated 1A at 24 VDC
- Magnetic Contact Rating:** 40 VDC, 0.25A, 10W
- Anti-Rust Surface Treatment:** Blue Zinc Plating
- Operating Temperature:** 0-55° C (32-131° F)
- Operating Humidity:** 0-95% (non-condensing)
- Weight:** 6kg ($\pm 1\%$)
- Dimensions:** Magnet - (L) 280 x (W) 76 x (T) 47 mm
Armature - (L) 200 x (W) 70 x (T) 16.5 mm

